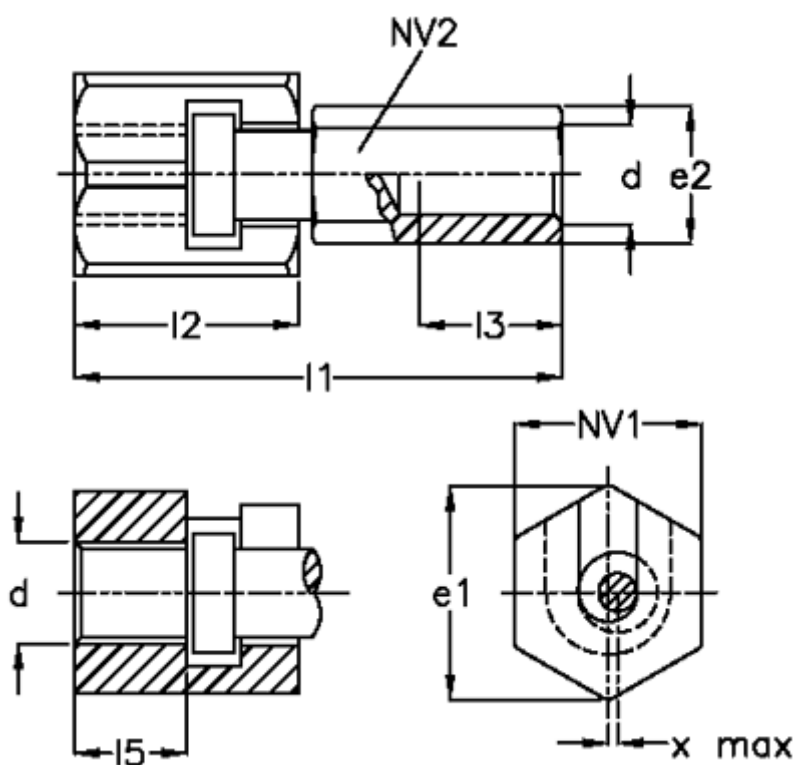


Article number: 20055509

Description: E+G Quick-fit coupling (radial displacement)
GN 240-M6-B

Measures



d	= M 6x1	Max push-pull strength N = 2500
e1	= 21.0	NV 1 = 19
e2	= 11.0	NV 2 = 10
l1	= 37.5	
l2	= 18.0	
l3	= 11.0	
l5 +1	= 9.0	
Max displacement	= 0.6	